

Notes

HEADQUARTERS - ITALY



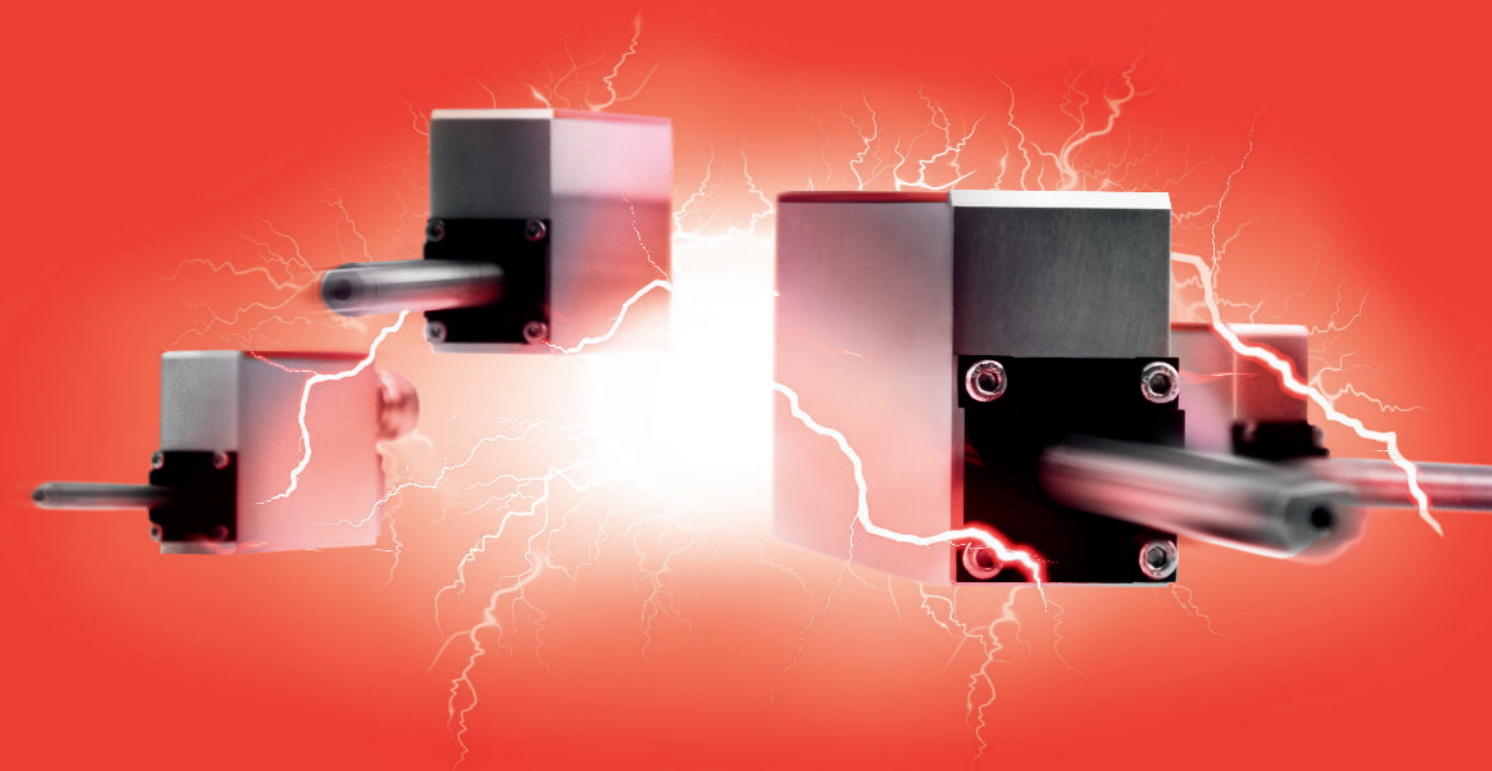
Servotecnica S.p.A.
Via E. Majorana, 4
20834 Nova Milanese (MB) - Italy
+39 03624921
info@servotecnica.com | www.servotecnica.com

GERMANY



Servotecnica G.m.b.H.
Kelsterbacher Strasse, 20
65479 Raunheim - Deutschland
+49 6142-7936039
info@servotecnica.de | www.servotecnica.de

ACTUATORS



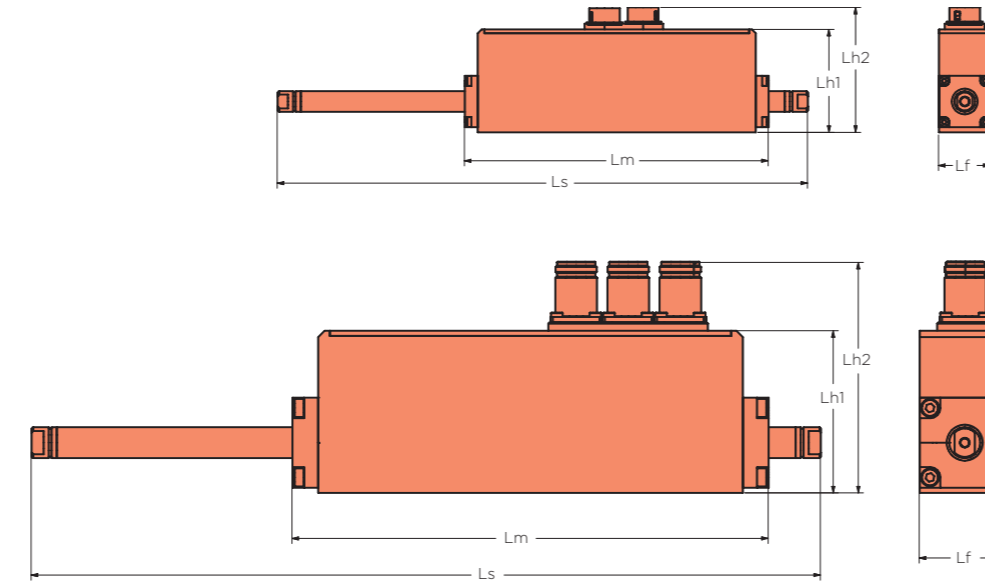
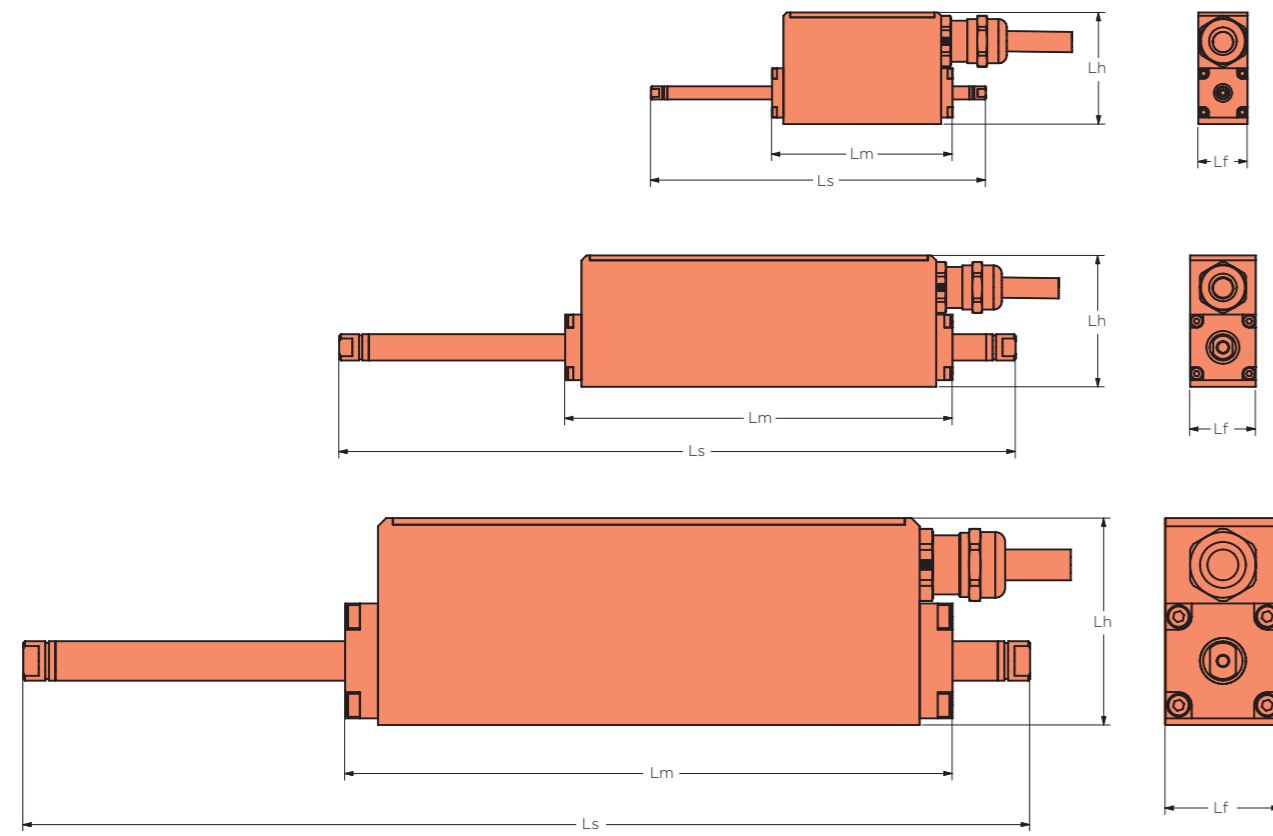
Your local contact

ACTUATORS

ACTUATORS WITH INTEGRATED DRIVE

Product code

SVTL ●-◇◇◇-○○◇◇◇-□□□-◇-△-◇-☆☆☆



Values	Unit	SVTL A-II-04055	SVTL A-II-04091	SVTL A-II-08118	SVTL A-II-08178	SVTL A-II-12185	SVTL A-II-12305
Rated Force	N	0,64	1,08	5,44	9,8	21	38
Peak Force	N	4,16	7,02	35,36	63,7	138	249
Forcer length [Lm]	mm	55	91	118	178	185	305
Rod length w/o stop [Ls]	mm	55 + stroke	91 + stroke	118 + stroke	178 + stroke	185 + stroke	305 + stroke
Rod weight	g/mm	0,09	0,09	0,35	0,35	0,77	0,77
Rod diameter	mm	4	4	8	8	12	12
Flange (Lf)	mm	15	15	20	20	35	35
Height (Lh)	mm	34	34	40	40	63	63
Pole pitch	mm	18	18	30	30	60	60
Force constant	N/A	2,00	2,00	4,00	4,00	12	12
Rated Current	A	0,32	0,54	1,36	2,448	1,77	3,186
Back EMF	Vrms/m/s	1,155	1,155	2,309	2,312	6,928	6,928
Phase resistance	ohm	15,7	7,85	9,72	4,86	5,96	2,98
Phase inductance	mH	1,2	0,6	1,2	0,6	3,02	1,51
Position repeatability	mm	0,009	0,009	0,015	0,015	0,029	0,029

Values	Unit	SVTL C-II-08118	SVTL C-II-08178	SVTL C-II-12185	SVTL C-II-12305
Rated Force	N	5,44	9,8	21	38
Peak Force	N	35,36	63,7	138	248,508
Forcer length [Lm]	mm	118	178	185	305
Rod length w/o stop [Ls]	mm	118 + stroke	178 + stroke	185 + stroke	305 + stroke
Rod weight	g/mm	0,35	0,35	0,77	0,77
Rod diameter	mm	8	8	12	12
Flange (Lf)	mm	15	15	20	20
Height (Lh1)	mm	40	40	63	63
Height with connectors (Lh2)	mm	49	49	90	90
Pole pitch	mm	30	30	60	60
Force constant	N/A	4,00	4,00	12	12
Rated Current	A	1,36	2,448	1,77	3,186
Back EMF	Vrms/m/s	2,3094	2,3113	6,928	6,928
Phase resistance	ohm	9,72	4,86	5,96	2,98
Phase inductance	mH	1,2	0,6	3,02	1,51
Position repeatability	mm	0,015	0,015	0,029	0,029

- Series
Tubular Actuator [A];
Tubular Motor [B];
Tubular Actuator with IE [C];
Tubular Motor with IE [D];
- ◇ Configuration
Complete [11]; Forcer only [10]; Rod only [01];
- Rod diameter
4mm [04]; 8mm [08]; 12mm [12];
- ◇ Forcer length
55mm [055]; 91mm [091]; 118mm [118];
178mm [178]; 185mm [185]; 305mm [305]
- Rod length
∅4: 74mm [074], 92mm [092], 110mm [110],
128mm [128], 146mm [146], 164mm [164],
182mm [182], 200mm [200], 218mm [218],
236mm [236], 254mm [254], 272mm [272],
290mm [290]
∅8: 151mm [151], 181mm [181], 211mm [211],
241mm [241], 271mm [271], 301mm [301],
331mm [331], 361mm [361], 391mm [391],
421mm [421], 451mm [451], 481mm [481],
511mm [511]
∅12: 245mm [245], 275mm [275], 305mm [305],
335mm [335], 365mm [365], 395mm [395],
425mm [425], 455mm [455], 485mm [485],
515mm [515], 545mm
- ◇ Connection
Cable [0];
Connector [1]
- △ Feedback
Sin Cos [T];
Sin Cos (no thermal sensor) [S];
Biss-C [A];
Incremental AB [E]
- ◇ Rod end
Female thread [0];
Male thread [M];
Male/Male thread [N];
Female/Female thread [G]
- ◇ Rod through-bore
Solid [0];
Hollow shaft [H];
- ☆ Customization

All dimensions in millimeters, unless otherwise specified

v 1.1