

ROTARY TABLE SYSTEM



Connecting dots.
Providing Solutions.



ROTARY TABLE SYSTEM

Innovative design for highest dynamic and precision



COMPACT DESIGN



HIGHEST TORQUE DENSITY



LOW COGGING VALUE

Compact design

Ultra thin - build height 30 mm

Highest torque density

Smaller packing means lowering footprint

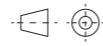
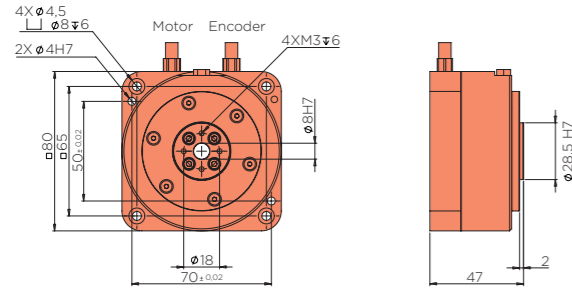
Low cogging value

Smooth motion and positioning accuracy

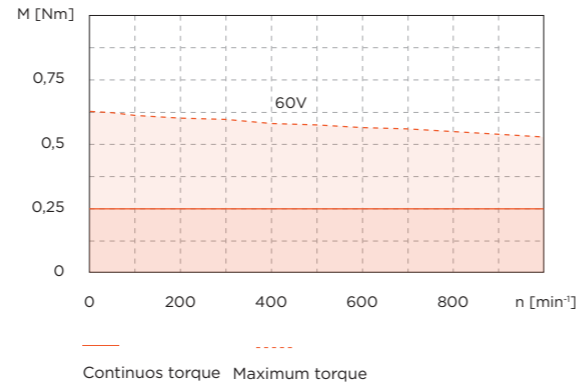
Benefits

Rotary table - ready to install	Reduced moving mass for low inertia
Mechanically & electrically ready for connection	Low cogging value
Direct drive	Smooth running characteristics
Precise & no backlash	Customer specific modifications possible
Innovative design	

SVTR A 01-0.25-3.6-E-0-000

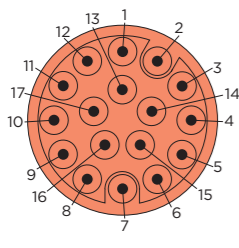


Values	Unit	
Motor data		
1 Nominal voltage	V _{DC}	60
2 Maximum speed	min-1	1000
3 Nominal torque**	Nm	0,25
4 Nominal current**	ARMS	4,3
5 Max stall torque**	Nm	0,63
6 Max stall current**	ARMS	14
7 Torque constant	Nm/A	0,06
8 Speed constant	V/1000min-1	3,69
9 Phase-Phase Resistance	ff	1,4
10 Phase-Phase inductance	mH	1,6
11 Number of pole pairs	2p	4
12 Rotor inertia	kgm ² x10-3	0,02
Mechanical data		
13 Repeatability	arcsec	3 3
14 Radial eccentricity	µm	< 10
15 Axial eccentricity	µm	< 20
16 Max. axial load	N	100
17 Max. radial load	N	75
18 Max tilting torque	Nm	5
Other specifications		
19 Feedback type		TTL
20 Resolution	inc/rev	435000
21 Thermal sensor		-
22 Protection class		IP40
23 Weight	Kg	0,8
24 Ambient temperature	°C	0 ... +40
Connector		
25 Motor	cm	50 + M17
26 Feedback	cm	50 + M17



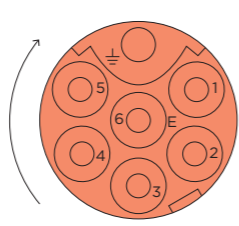
** Mounting flange 250 mm x 250 mm / thickness 20 mm

Encoder connector M17 assignment



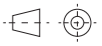
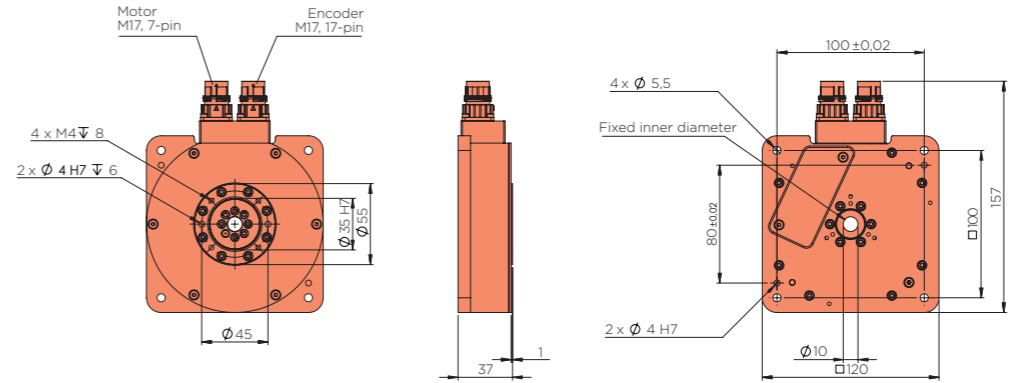
Pin	Signal	Pin	Signal
1	A+	10	Signal
2	A-	11	-
3	B+	12	-
4	B-	13	-
5	Z+	14	-
6	Z-	15	-
7	-	16	+5 V
8	-	17	GND
9	-		

Motor connector M17 assignment

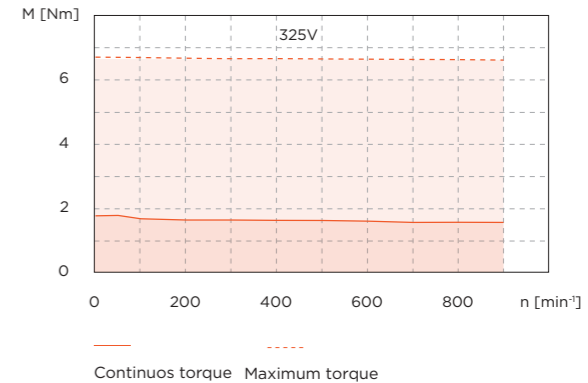


Pin	Signal
1	Phase U
2	-
3	-
4	Phase V
5	Phase W
6	-
7	PE

SVTR A 02-1.6-37-E-0-000

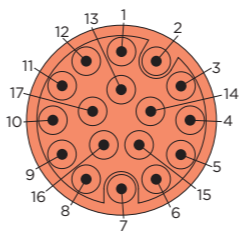


Values	Unit	
Motor data		
1 Nominal voltage	V _{DC}	325
2 Maximum speed	min-1	900
3 Nominal torque**	Nm	1,6
4 Nominal current**	ARMS	2,9
5 Max stall torque**	Nm	6,6
6 Max stall current**	ARMS	14
7 Torque constant	Nm/A	0,55
8 Speed constant	V/1000min-1	37,5
9 Phase-Phase Resistance	ff	4,1
10 Phase-Phase inductance	mH	7,6
11 Number of pole pairs	2p	10
12 Rotor inertia	kgm ² x10-3	0,22
Mechanical data		
13 Repeatability	arcsec	3 3
14 Radial eccentricity	µm	< 15
15 Axial eccentricity	µm	< 20
16 Max. axial load	N	100
17 Max. radial load	N	100
18 Max tilting torque	Nm	5
Other specifications		
19 Feedback type		TTL
20 Resolution	inc/rev	532000
21 Thermal sensor		PTC
22 Protection class		IP40
23 Weight	Kg	1,4
24 Ambient temperature	°C	0 ... +40
Connector		
25 Motor		M17
26 Feedback		M17



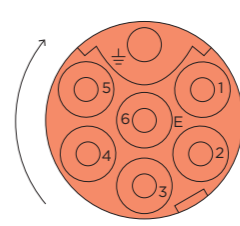
** Mounting flange 250 mm x 250 mm / thickness 20 mm

Encoder connector M17 assignment



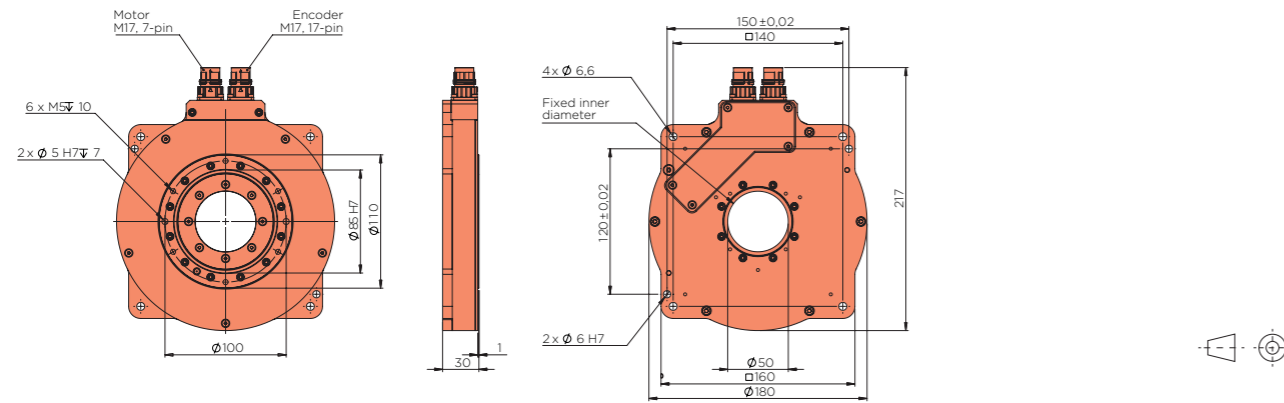
Pin	Signal	Pin	Signal
1	A+	10	Signal
2	A-	11	-
3	B+	12	-
4	B-	13	-
5	Z+	14	-
6	Z-	15	-
7	-	16	+5 V
8	-	17	GND
9	-		

Motor connector M17 assignment

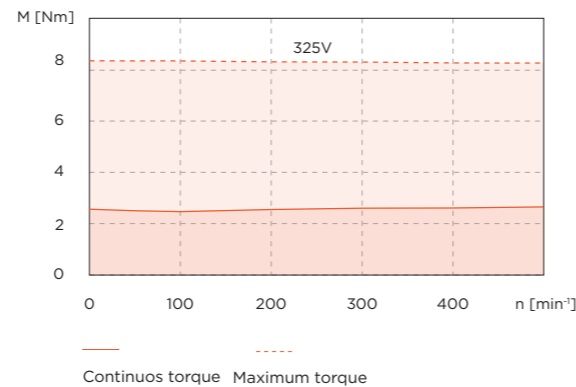


Pin	Signal
1	Phase U
2	-
3	-
4	Phase V
5	Phase W
6	-
7	PE

SVTR A 03-2.5-59-E-0-000

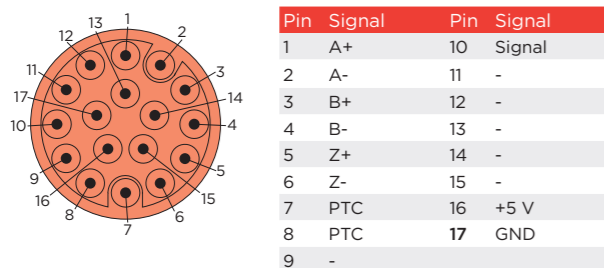


Values	Unit	
Motor data		
1 Nominal voltage	V _{DC}	325
2 Maximum speed	min-1	500
3 Nominal torque**	Nm	2,5
4 Nominal current**	ARMS	2,9
5 Max stall torque**	Nm	8,8
6 Max stall current**	ARMS	14
7 Torque constant	Nm/A	0,85
8 Speed constant	V/1000min-1	59,3
9 Phase-Phase Resistance	ff	5,4
10 Phase-Phase inductance	mH	8,9
11 Number of pole pairs	2p	18
12 Rotor inertia	kgm ² x10 ⁻³	1,19
Mechanical data		
13 Repeatability	arcsec	3 3
14 Radial eccentricity	µm	t.b.d.
15 Axial eccentricity	µm	t.b.d.
16 Max. axial load	N	400
17 Max. radial load	N	250
18 Max tilting torque	Nm	10
Other specifications		
19 Feedback type	TTL	
20 Resolution	inc/rev	532000
21 Thermal sensor	PTC	
22 Protection class	IP40	
23 Weight	Kg	2,2
24 Ambient temperature	°C	0 ... +40
Connector		
25 Motor	M17	
26 Feedback	M17	

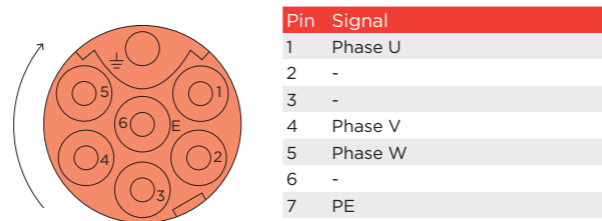


** Mounting flange 250 mm x 250 mm / thickness 20 mm

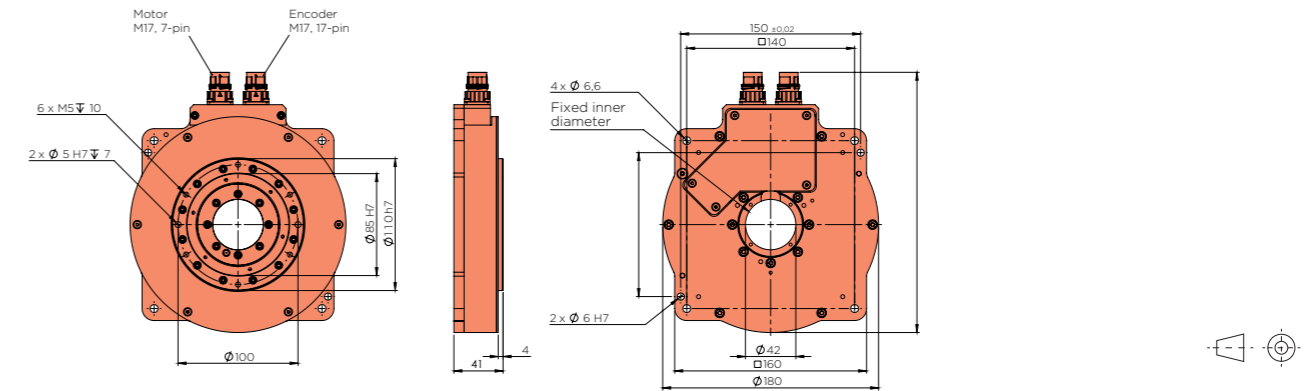
Encoder connector M17 assignment



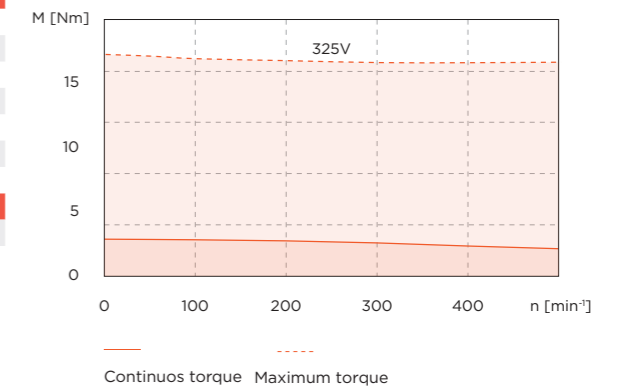
Motor connector M17 assignment



SVTR A 03-3.4-112-E-X*-000



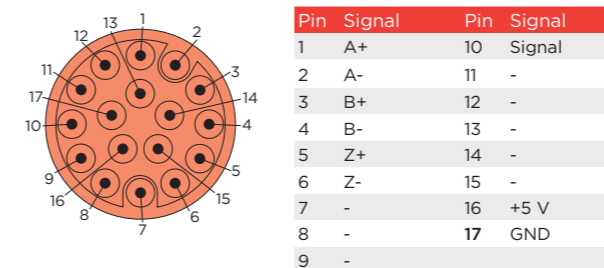
Values	Unit	
Motor data		
1 Nominal voltage	V _{DC}	325
2 Maximum speed	min-1	500
3 Nominal torque**	Nm	3,4
4 Nominal current**	ARMS	2,3
5 Max stall torque**	Nm	21,4
6 Max stall current**	ARMS	14
7 Torque constant	Nm/A	1,5
8 Speed constant	V/1000min-1	122,8
9 Phase-Phase Resistance	ff	7,4
10 Phase-Phase inductance	mH	14,2
11 Number of pole pairs	2p	18
12 Rotor inertia	kgm ² x10 ⁻³	2,3
Mechanical data		
13 Repeatability	arcsec	3 3
14 Radial eccentricity	µm	< 30
15 Axial eccentricity	µm	< 15
16 Max. axial load	N	750
17 Max. radial load	N	500
18 Max tilting torque	Nm	50
Other specifications		
19 Feedback type	TTL	
20 Resolution	inc/rev	532000
21 Thermal sensor	PTC	
22 Holding brake*	Nm	2
23 Protection class	IP40	
24 Ambient temperature	°C	0 ... +40
25 Ambient temperature	°C	0 ... +40
Connector		
26 Motor	M17	
27 Feedback	M17	



* Option: Yes [1]; No [0z]

** Mounting flange 250 mm x 250 mm / thickness 20 mm

Encoder connector M17 assignment



Motor connector M17 assignment

